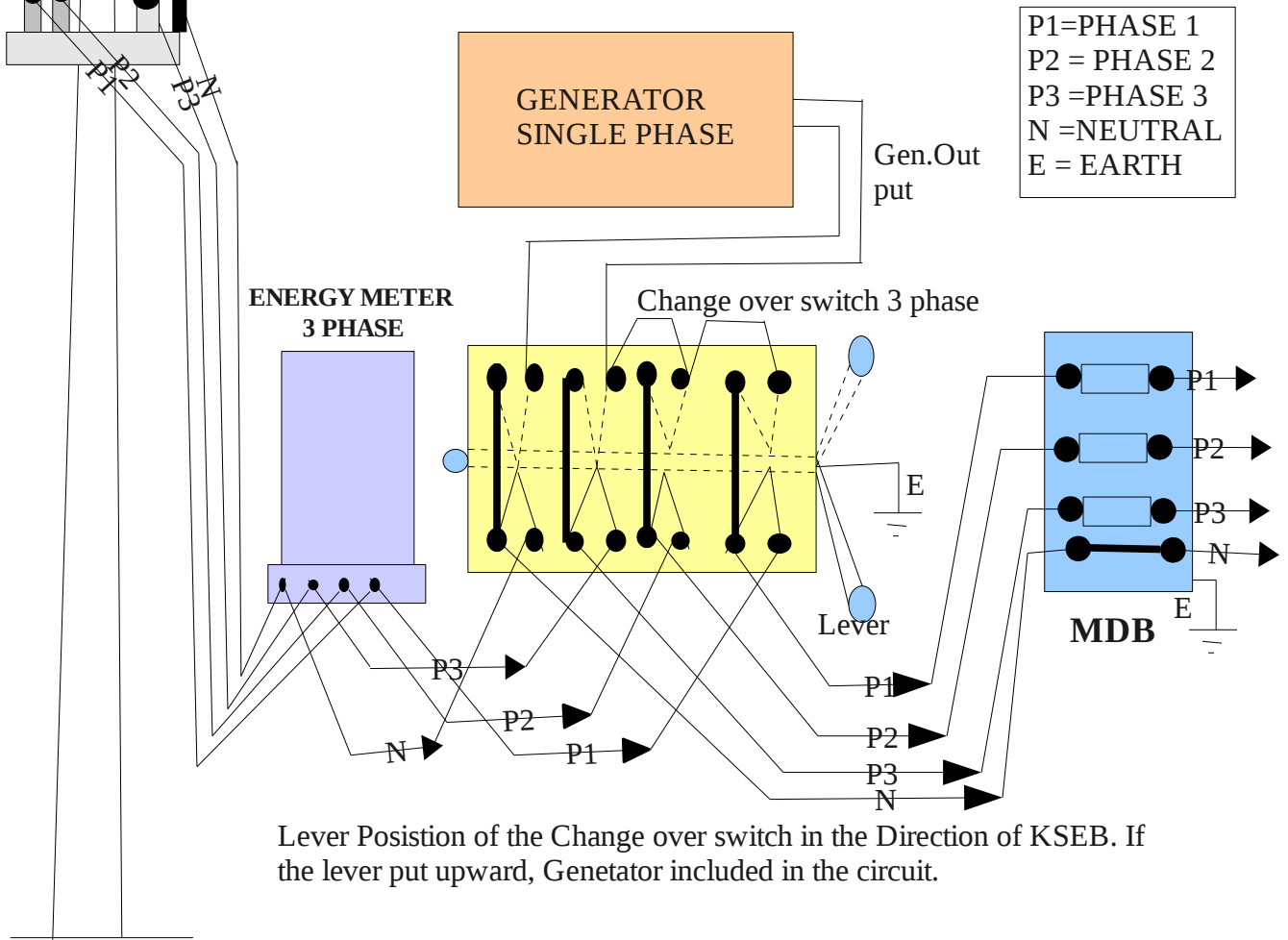
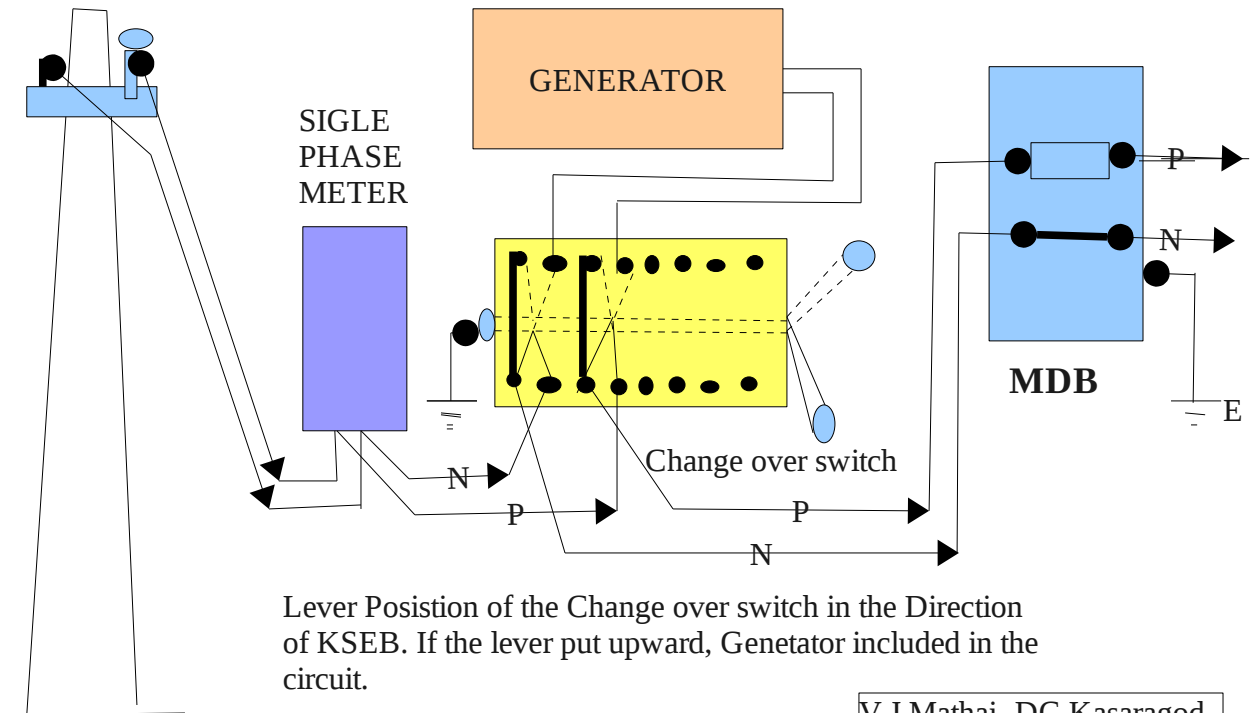


CIRCUIT SHOWING INCLUSION OF CHANGEOVER SWITCH IN 3 PHASE WIRING



Lever Position of the Change over switch in the Direction of KSEB. If the lever put upward, Genetator included in the circuit.

CIRCUIT SHOWING INCLUSION OF CHANGEOVER SWITCH IN SINGLE PHASE WIRING



Lever Position of the Change over switch in the Direction of KSEB. If the lever put upward, Genetator included in the circuit.